

PROJECT NAME:
**DOMINO'S PIZZA
 FRANCHISE @
 5711 RIDGE AVE
 PHILADELPHIA, PA**

FRANCHISE LOCATION:
 5711 RIDGE AVENUE
 PHILADELPHIA, PENNSYLVANIA 19128
 FRANCHISE OWNER:
 SALIM JOARDER
 MILES ENTERPRISES INC
 D/B/A DOMINO'S PIZZA

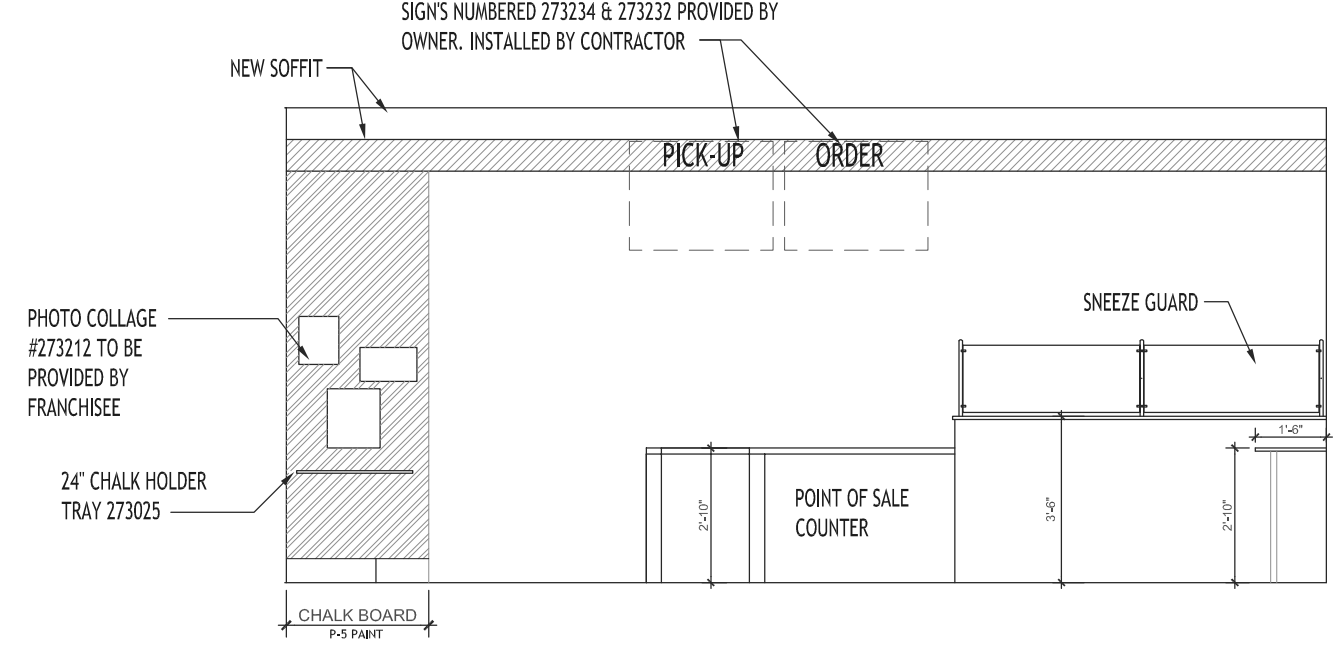
ARCHITECT
 KRISTINA BLAKE
 PA-940834
 NJ - A10922300

SCOPE OF WORK WITHIN THESE DOCUMENTS IS NON STRUCTURAL CHANGE AND WILL NOT LOWER THE ORIGINAL BUILDINGS FIRE AND STRUCTURAL INTEGRITY/SAFETY BELOW THE APPLICABLE STANDARDS UPON WHEN THE BUILDING WAS LAWFULLY CONSTRUCTED.

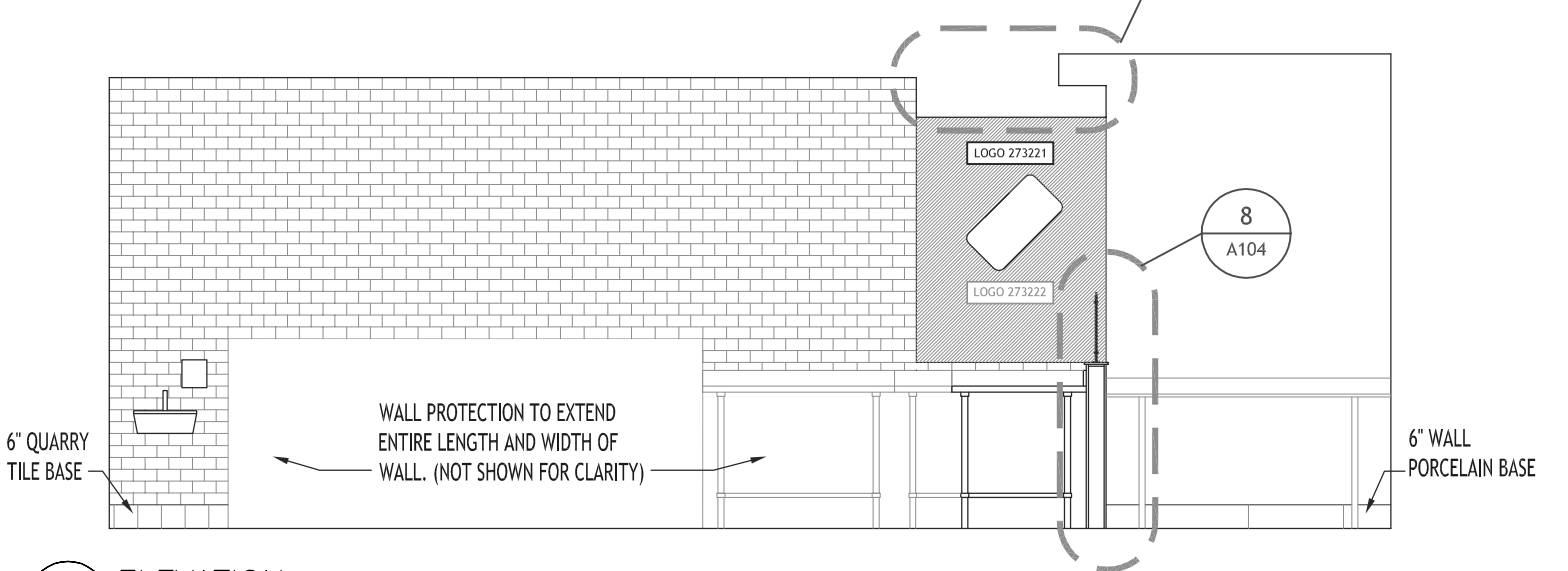
NO.	FRANCHISE/FRANCHISE REVIEW	ISSUED FOR	DATE
1	FRANCHISE/FRANCHISE REVIEW		02/21/16

DRAWN BY:
K.A.B.
 FILE NAME:
A103

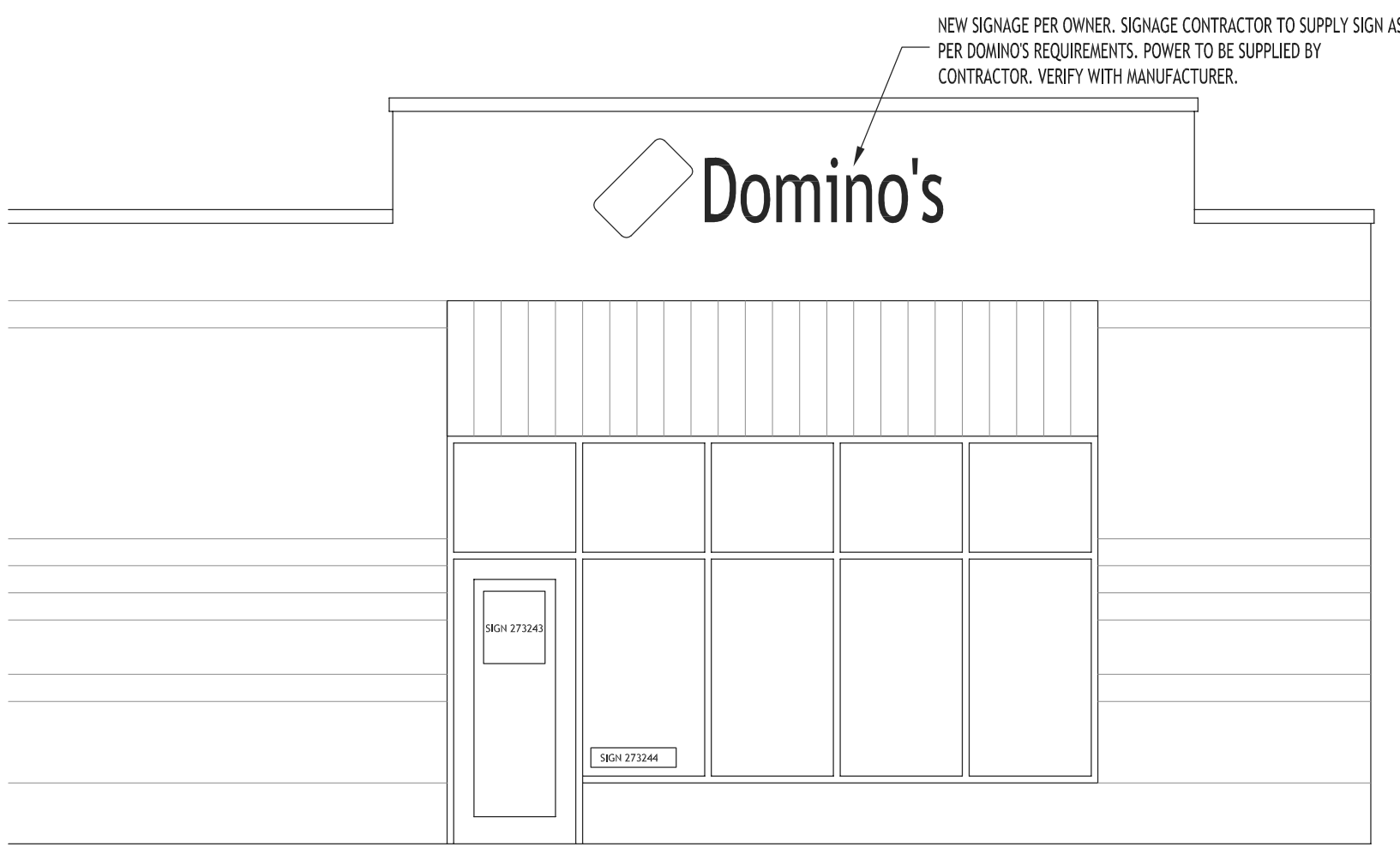
SCALE:
AS SHOWN
 DRAWING NUMBER:
A103
 DATE:
02/21/16



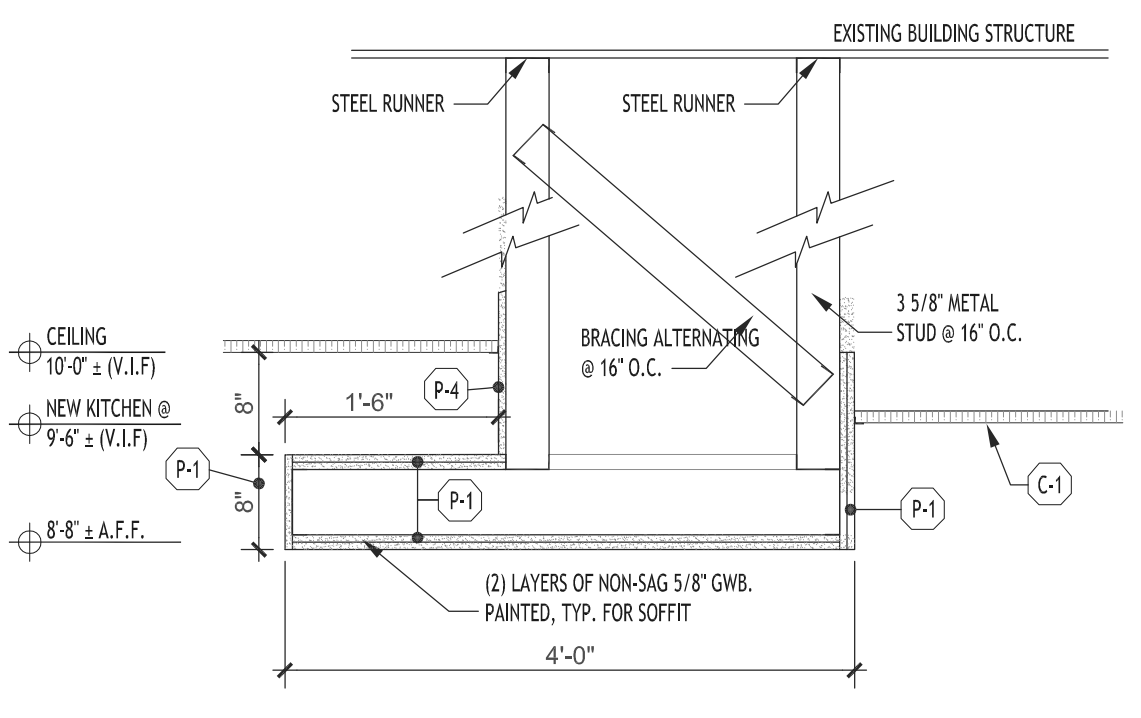
1 ELEVATION
 1/4" = 1'-0"



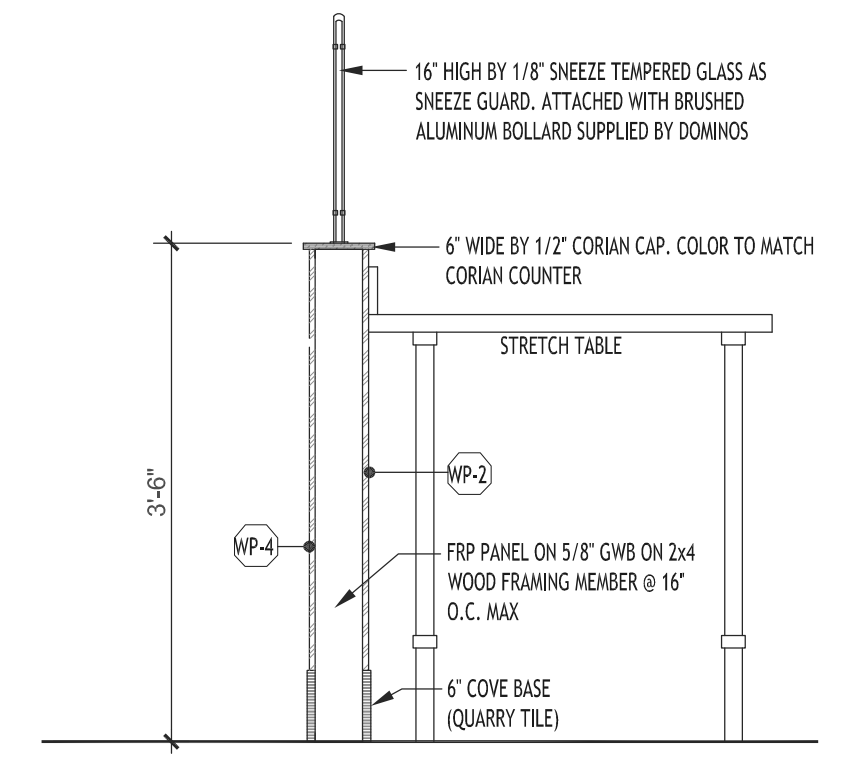
2 ELEVATION
 1/4" = 1'-0"



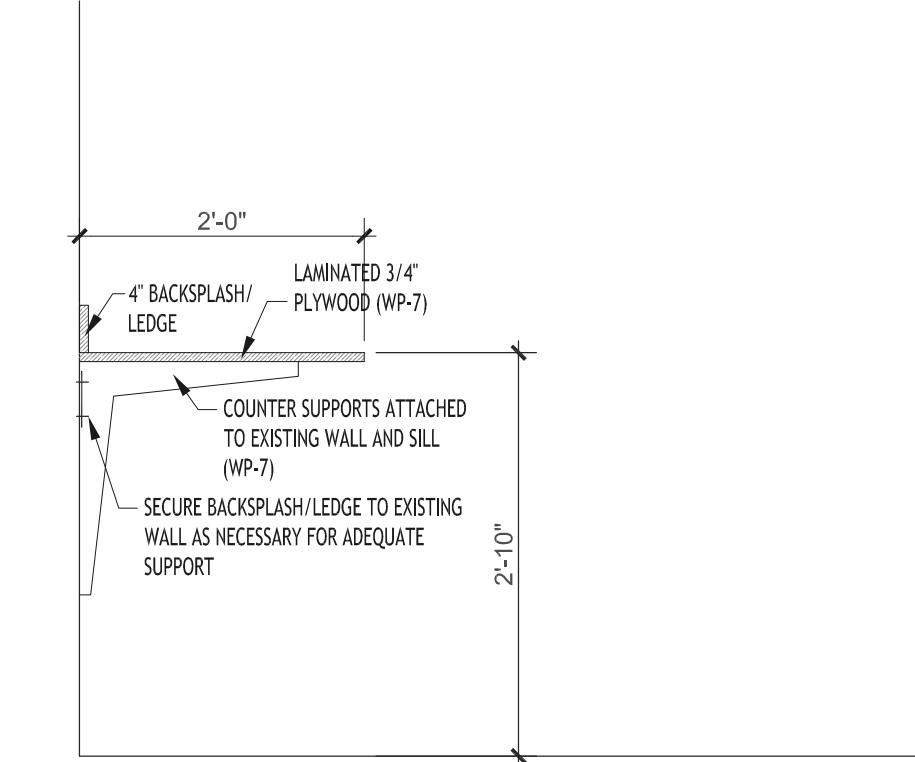
3 PARTIAL FRONT BUILDING ELEVATION
 1/4" = 1'-0"



7 SOFFIT DETAIL
 3/4" = 1'-0"
 *CONTRACTOR TO UTILIZE FIRE TREATED MEMBERS/CONSTRUCTION FOR ENTIRE SOFFIT SYSTEM. CONTRACTOR RESPONSIBLE FOR BUILD AND DETAIL.



8 STRETCH TABLE AND CUSTOMER COUNTER DETAIL
 3/4" = 1'-0"



9 CUSTOM OFFICE WORK COUNTER
 3/4" = 1'-0"
 (CUSTOMER AREA SIMILAR - SEE ELEVATION FOR HEIGHTS AND WIDTHS)

INTERIOR FINISHES NOTES

1. PROVIDE SAG RESISTANT DRYWALL AT ALL SOFFIT AND CEILING LOCATIONS.
2. TYPICAL CEILING HEIGHTS ARE NOTED ON PLAN.
3. PROVIDE FLOOR TRANSITION STRIPS WHERE FLOOR FINISHES END OR WHERE NEW TWO FINISHES COME TOGETHER. TRANSITION STRIP KIND AND COLOR TO BE VERIFIED IN FINISHES SCHEDULE. IF NOT NOTED, TRANSITION STRIP TO MATCH COLOR OF ADJACENT RESILIENT FLOORING.
4. PROVIDE MOISTURE TESTING AT ALL NEW AND EXISTING ELEVATED AND SLABS ON GRADE BEFORE NEW FLOORING IS INSTALLED.
5. INTERIOR FINISHES SHALL COMPLY WITH NJAC 5:23-6.11 (C)
6. INTERIOR FINISHES OF WALLS AND CEILINGS SHALL HAVE A FLAME SPREAD RATING NOT GREATER THAN THE CLASS PRESCRIBED BY TABLE 2 OF NJAC 5:23-6.11

IBC, NEW JERSEY, 803.5

ALL FINISHES MUST COMPLY WITH THIS CHAPTER.
 EXIT ENCLOSURE: CLASS B
 CORRIDORS: CLASS C
 ROOMS AND ENCLOSED SPACES: CLASS C